

50ft Reflective Photoelectric Beam Sensor

E-931-S50RRGQ Range: Up to 50ft (15m)



Features:

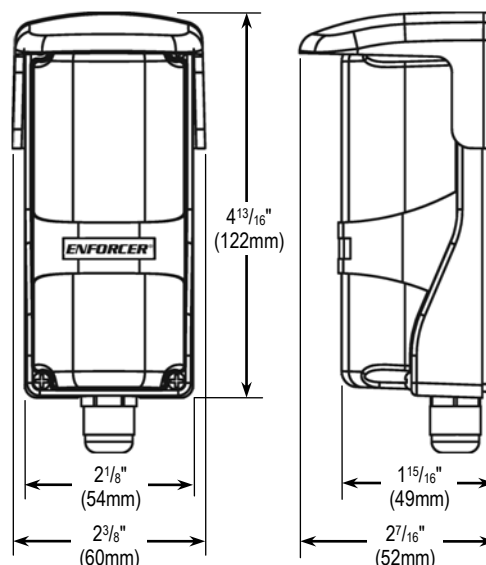
- Up to 50ft (15m) range
- For outdoor gates, garage doors, etc.
- Weatherproof (IP55) construction for indoor/outdoor use
- Anti-condensation housing
- Dual-color LED alignment system
- Form C relay: 500mA@30VAC/VDC
- Tamper switch: N.C. 500mA@30VAC/VDC
- 3 1/4" (82mm) Round reflector included
- Compact size
- Monitored output:
 - N.C.
 - 10kΩ Resistor



Specifications:

Model		E-931-S50RRGQ
Type		Reflective Photoelectric Beam Sensor
Sensing range		50ft (15m)
Operating voltage		12-30V DC/AC 60Hz, 100mA
Current Draw	Standby	55mA@12VDC
	Active	40mA@12VDC
Response time		10ms
Light source		IR LED
LEDs	Solid green	Good beam signal, properly aligned
	Alternating flash	Poor beam signal
	Solid red	No beam signal, triggered
Trigger output		SPDT Relay output (NO/NC/COM)
Switching capacity		500mA@30VAC/VDC
Tamper switch		500mA@30VAC/VDC
IP Rating		IP55
Operating temperature		-13°~140° F (-25°~60° C)

Dimensions:



SECO-LARM® U.S.A., Inc.

16842 Millikan Avenue, Irvine, CA, 92606

Phone: (949) 261-2999 | (800) 662-0800 Fax: (949) 261-7326

Website: www.seco-larm.com Email: sales@seco-larm.com



Copyright 2016 © SECO-LARM U.S.A., Inc. All rights reserved. All trademarks are the property of SECO-LARM U.S.A., Inc. or their respective owners. The SECO-LARM policy is one of continual development. For that reason, SECO-LARM reserves the right to change prices and specifications without notice. SECO-LARM is not responsible for misprints.

SECO-LARM® ENFORCER® CRIMEBUSTER® CBA SLI®