

## Twin Photobeam Detector

**E-960-D90GQ** Outdoor Range: Up to 90ft (30m)

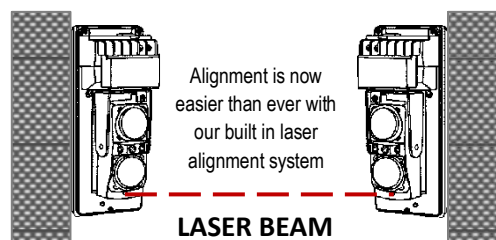


### Features:

- Twin beams minimize false alarms from falling leaves, birds, etc.
- Lensed optics reinforces beam strength and provides excellent immunity to false alarms due to rain, snow, mist, etc.
- Weatherproof, sunlight-filtering case
- Non-polarized power inputs
- Anti-frost system
- Automatic input power filtering with special noise rejection circuitry
- NC/NO trigger output
- NC tamper circuit included
- “U” brackets included for pole mounting
- Quick, easy installation with built-in laser beam alignment system
- Monitored output:
  - N.C.
  - 10kΩ Resistor



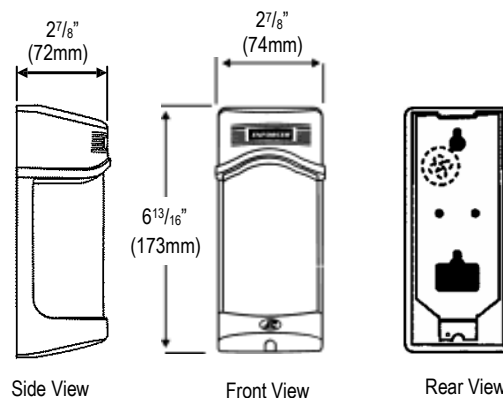
### Laser Beam Alignment:



### Specifications:

Model	E-960-D90GQ	
Max. Range (outdoor)	90' (30m)	
Max. Rang (indoor)	190' (60m)	
Current (Max)	150mA	
Power	12-30VDC/VAC 60Hz, 200mA (non-polarized)	
Interrupt Speed	10ms	
Trigger output	SPDT NO/NC/COM relay, 1@30VDC/VAC	
Tamper output	N.C. switch, 1A@30VDC/VAC	
LEDs	Red	ON indicates transmitter and receiver not aligned or beam is broken
	Yellow	ON indicates weak receiver signal or beam is broken
	Green	ON indicates unit connected to power
Laser wavelength	650nm	
Laser output power	<5mW	
Alignment angle	Horizontal: +90°, Vertical: +5°	
Operating temperature	-13°~131°F (-25°~55°C)	
Weight	2.5-lb (1.1kg)	

### Dimensions:



### SECO-LARM® U.S.A., Inc.

16842 Millikan Avenue, Irvine, CA, 92606

Phone: (949) 261-2999 | (800) 662-0800 Fax: (949) 261-7326

Website: www.seco-larm.com Email: sales@seco-larm.com



Copyright 2016 © SECO-LARM U.S.A., Inc. All rights reserved. All trademarks are the property of SECO-LARM U.S.A., Inc. or their respective owners. The SECO-LARM policy is one of continual development. For that reason, SECO-LARM reserves the right to change prices and specifications without notice. SECO-LARM is not responsible for misprints.

**SECO-LARM® ENFORCER® CRIMEBUSTER® CBA SLI®**