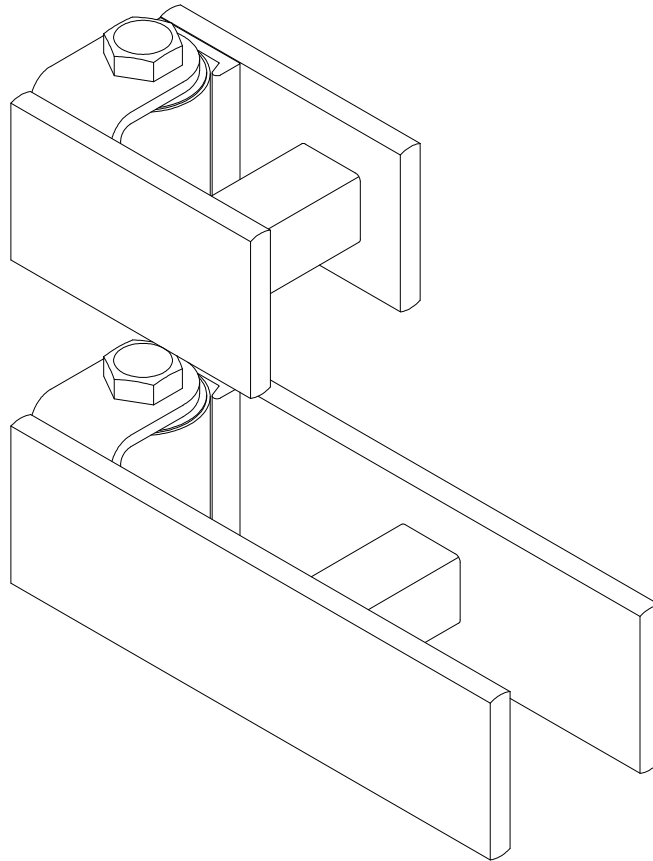




## Uphill Hinge Installation & Maintenance Instructions

P/Ns 2190.100 & 2195.100

Sold in Pairs

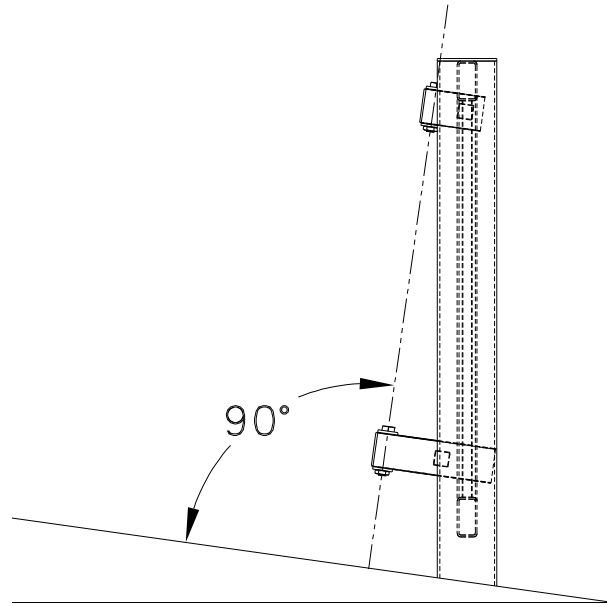


**MADE IN USA**

4261 S. Country Club ▪ Tucson, AZ 85714-2009 U.S.A.  
1.520.881.1330 ▪ 1.800.213.9525 ▪ 1.520.320.1820 (Fax)  
E-mail: [sales@guardiangatehardware.com](mailto:sales@guardiangatehardware.com)  
[www.guardiangatehardware.com](http://www.guardiangatehardware.com)

The Following Instructions Apply to All Uphill Hinge Instructions

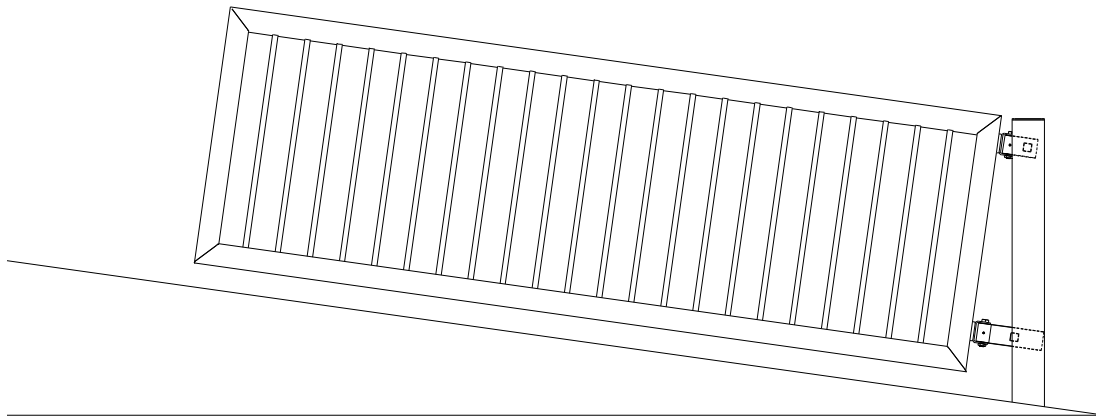
The hinges will be perpendicular to the road surface when properly installed. There will be an imaginary line running through the center of both hinges as shown in **Figure 1**.



**FIGURE 1**

**STEP 1:**

Stand the gate in the open position as shown in **Figure 2**. Open hinges 90 degrees with the yoke extensions flat against the post and the gate extensions flat against the end rails of the gate as shown in **Figure 2**. Tack weld the yoke extensions to the gate post. **DO NOT** tack weld the gate extensions.

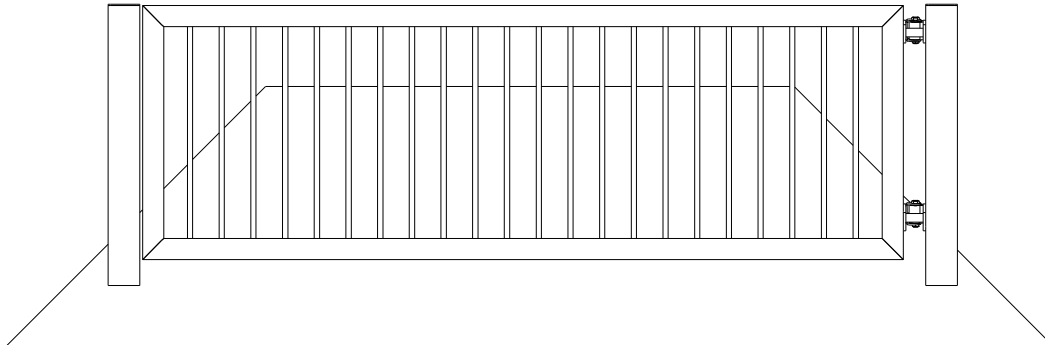


**FIGURE 2**

\*NOTE: It may be necessary to elevate the far end of the gate to allow for the weight of the suspended gate after installation.

**STEP 2:**

Tack weld the gate extensions to the gate with the gate in the closed position as shown in **Figure 3**.



**FIGURE 3**

**STEP 3:**

Verify the gate opens and closes as desired. Adjust as necessary to achieve proper gate movement and alignment. Securely weld extensions to the post and gate after gate movement and alignment have been confirmed.

**STEP 4:**

Remove any excess material from the extensions. Grind all sharp edges. Paint all bare metal and welds as necessary. Lubricate both hinges prior to use with a grease gun. Do not over lubricate hinges. Gate will be slightly canted when gate is in the open position as shown in **Figure 4**.



**FIGURE 4**